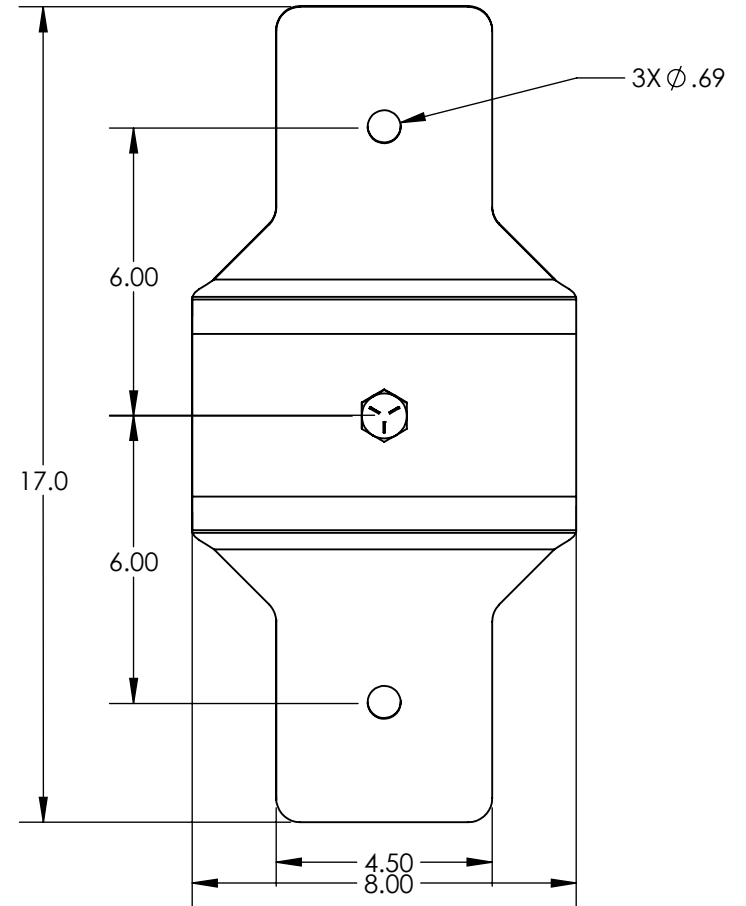
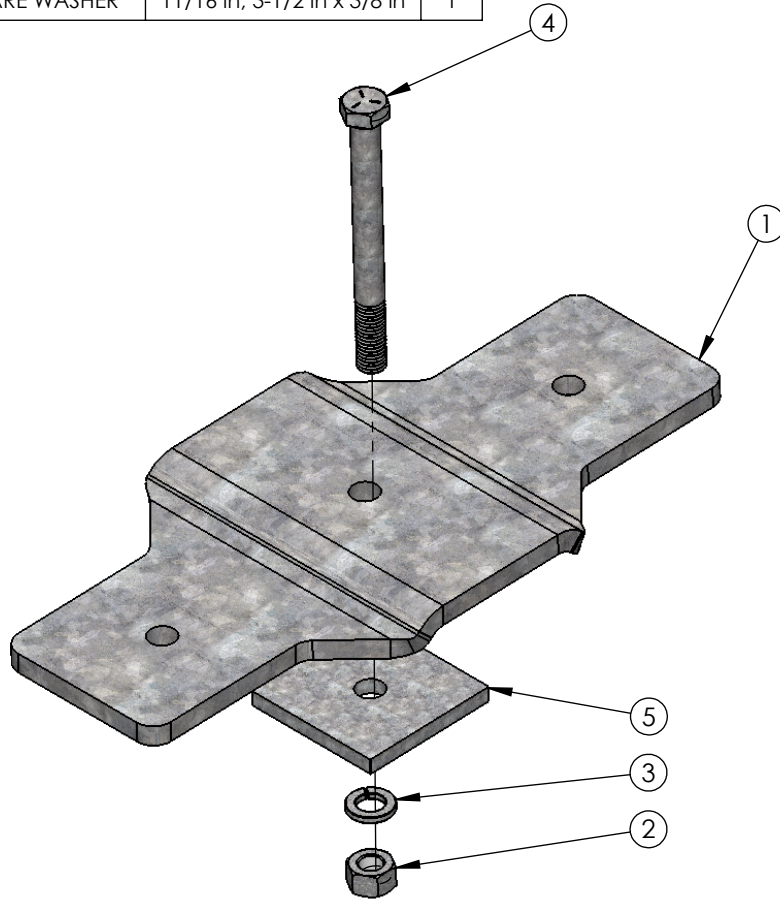


ITEM NO.	PART NUMBER	DESCRIPTION	DESCRIPTION 2	QTY
1	BK-0325	BRACKET, DOUBLE PIN	11/16" HEAVY DUTY	1
2	HN0625-0004	HEX NUT	5/8 in - 11	1
3	LW0625-0004	LOCK WASHER	5/8 in	1
4	HBO625-0002	HEX BOLT	5/8 in - 11 x 6-1/2 in	1
5	SW0688-0037	SQUARE WASHER	11/16 in, 3-1/2 in x 3/8 in	1

www.pupicrossarms.com

REVISIONS			
REV.	DESCRIPTION	DATE	INITIALS

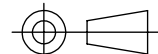


-----UNLESS OTHERWISE SPECIFIED-----
 DIMENSIONS ARE IN INCHES
 INTERPRET DIM AND TOL PER ASME Y14.5-2009
 ANGULAR: MACH ±2°
 BEND ±2°
 TWO PLACE DECIMAL ±0.02
 THREE PLACE DECIMAL ±0.005

PROPRIETARY AND CONFIDENTIAL
 THE INFORMATION CONTAINED IN THIS DRAWING IS
 THE SOLE PROPERTY OF GEOTEK. ANY
 REPRODUCTION IN PART OR AS A WHOLE WITHOUT
 THE WRITTEN PERMISSION OF GEOTEK IS PROHIBITED.

STATE:	RELEASED	2020-10-27
DRAWN:	TAL	2020-10-22
CHECKED:	NDH	2020-10-22
APPROVED:	TAL	2020-10-27

MATERIAL:
 FINISH:
 REPLACES: -



THIRD ANGLE
 PROJECTION



1421 SECOND AVE NW
 STEWARTVILLE, MN 55976
 (800)533-1680
 www.geotekinc.com

DESCRIPTION:
**HARDWARE KIT, DOUBLE PIN
 11/16" HEAVY DUTY**

SIZE:	DWG NO:	REV:
A	BMB-129	0.0

SCALE: 1:4 | WEIGHT: 16.18 LBS

SHEET 1 of 1